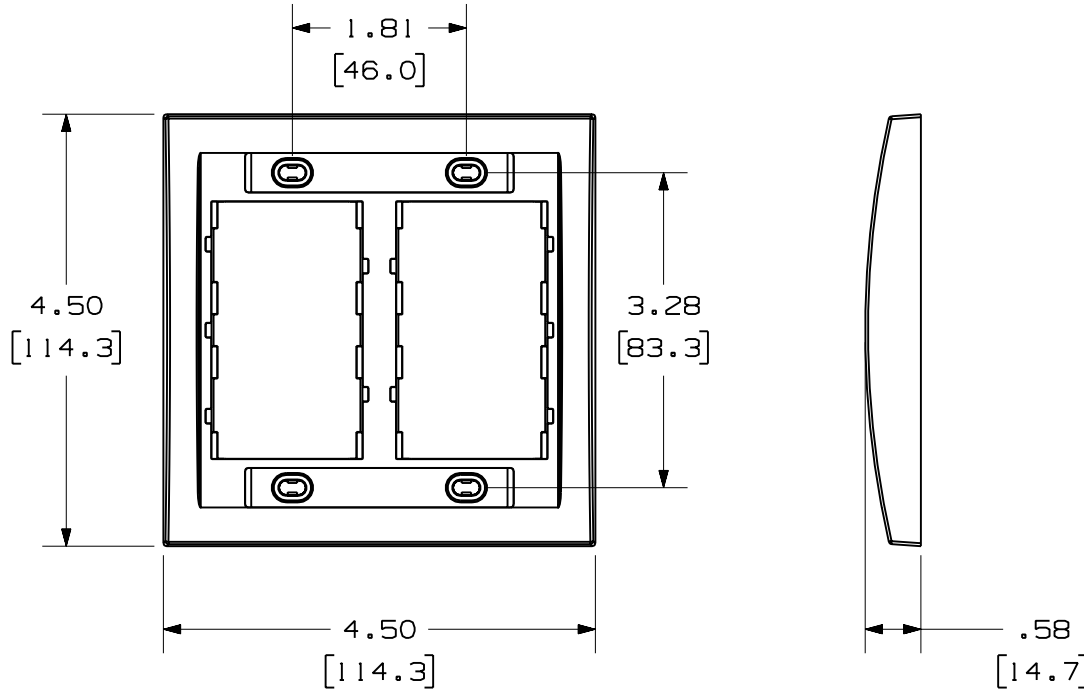


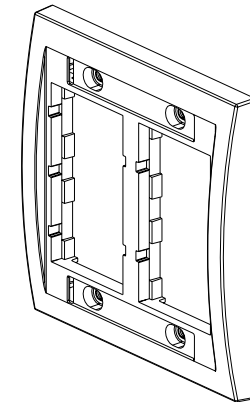
THIS COPY IS PROVIDED ON A RESTRICTED BASIS AND IS NOT TO BE USED IN ANY WAY DETRIMENTAL TO THE INTERESTS OF PANDUIT CORP.

PANDUIT P/N	WEIGHT
CBE**-2GY	.85 LB/10 PCS (385.6g/10 PCS)




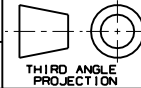
NOTES:

1. SEE CURRENT CATALOG FOR ADDITIONAL PART NUMBER SUFFIXES TO INDICATE COLOR AND OR PACKAGE QUANTITY.
2. SEE CATALOG FOR COMPLETE LIST OF PARTS APPLICABLE FOR USE WITH THIS PART.
3. DIMENSIONS IN () ARE METRIC.
4. PART INCLUDES:
1- FACEPLATE FRAME
4- #6-32 X 1" MOUNTING SCREW
2- LABEL
2- LABEL COVER



MODEL FILENAME	D35460BA_CBE2G_05.PRT	SIZE	A
DRAWING FILENAME	M02479FB_DC134_00A.PRT		

DOUBLE GANG EXECUTIVE FACEPLATE FRAME CUSTOMER DRAWING

 PANDUIT ™ CORP. TINLEY PARK, ILL 60477	I.I. NUMBER	N/A
	PRODUCT SPEC	N/A
 THIRD ANGLE PROJECTION	WORK INSTRUCTION	N/A
	SCALE	NONE
DRAWN BY JsP	MATERIAL:	PART NO. CBE**-2GY
DATE 4-19-06	ABS	DRAWING NO. 02479-134
CHK'D		

REV	DATE	BY	CHK	DESCRIPTION	ECN	R	CUST	SUP	OTH
R	4-19-06	JsP		RELEASED TO PRODUCTION	02479-134				